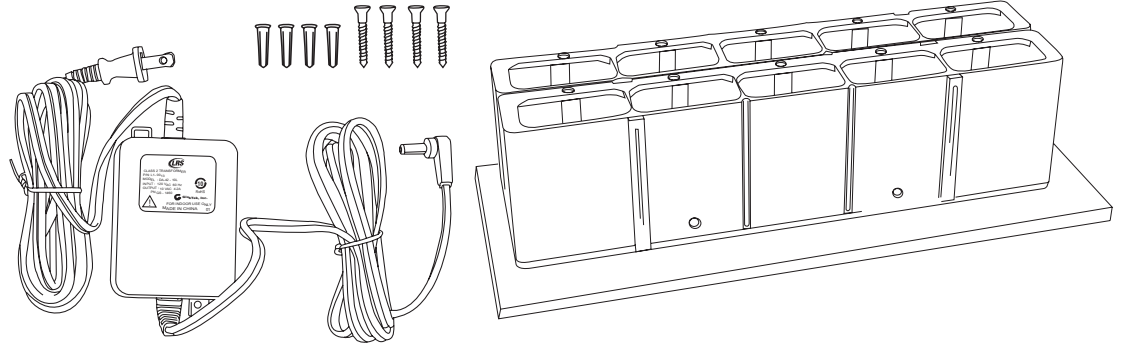


# Setup Guide Safe Touch Pager Charger

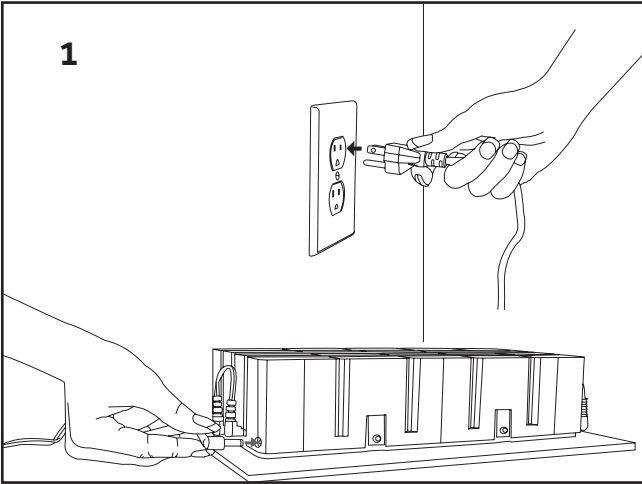


**LRS**

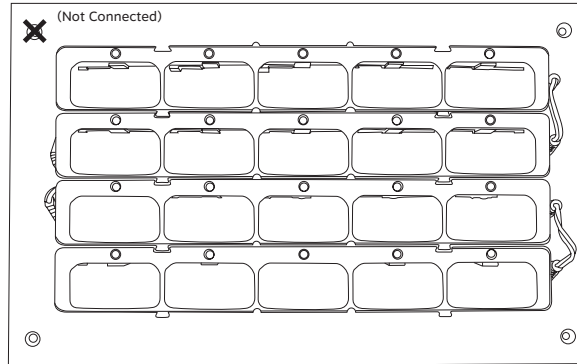
Items Included:



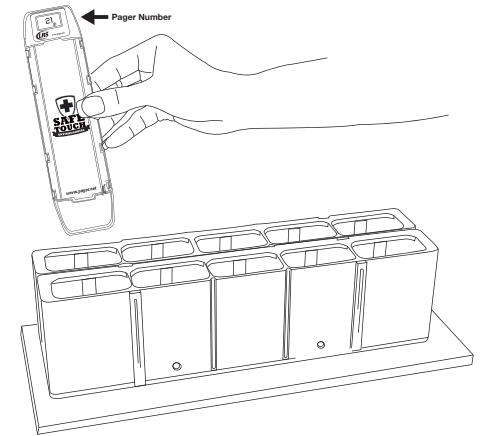
1



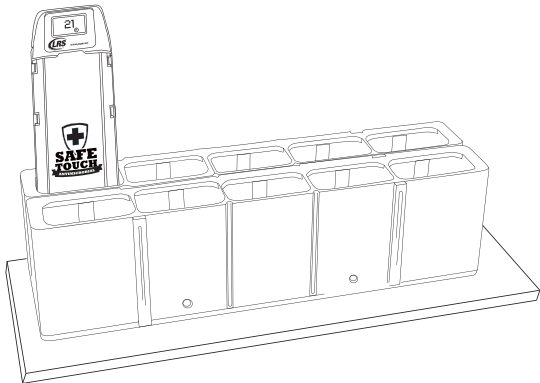
2



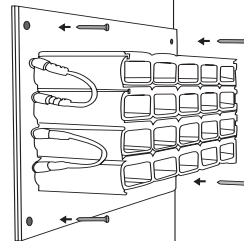
3



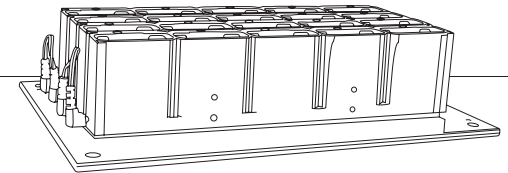
4



Installation Options:  
Opt. 1



Opt. 2

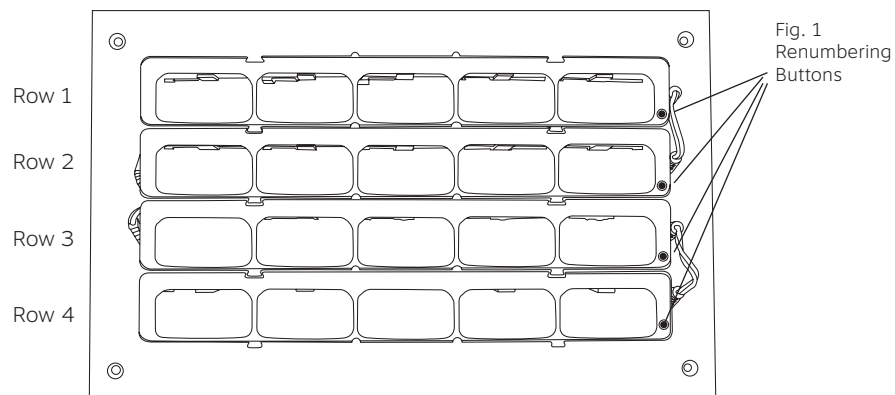


**Note:** Do not connect more than 25 charging slots per power supply.

## Renumbering Your Pagers

Over time you may need to re-number your pagers due to loss or breakage. The Safe Touch Pager Charger makes this easy to do. To renumber your pagers, follow these steps:

1. Make sure your charger is plugged in and has power
2. Insert all your pagers into the charger - order does not matter
3. Press and hold any one of the renumbering buttons on the charger for 5 seconds - See Fig.1
4. The pager displays will light up and display their newly assigned number to indicate the renumbering process is completed and the pagers are ready to use.



## Custom Renumbering Setup

The Safe Touch Pager Charger also comes with a custom numbering feature that enables you to set the sequence of numbers you wish your pagers to be. To adjust the number sequence, follow these steps:

1. Unplug the charger from the outlet. Do not work on the charger with power.
2. Detach the charger from the plexiglass base. Loosen screws then simply slide and lift.
3. Locate the DIP switch on the bottom of the charger. See Fig. 2.
4. Determine what numbers you wish to make your pagers.
5. Reference the DIP Switch Setting Chart that fits that sequence.
6. Each row of 5 slots needs to have a unique set of DIP switch settings or you may renumber more than 1 pager as the same number. See Fig. 1. For example: row 1 can be pagers 1-5, Row 2 would use the DIP switch settings to make pagers 6-10 and so on. Note: The up position on the switch is ON and the down position is OFF.
6. Once your DIP switch settings are set, reattach the charger to the plexiglass base and plug in. You're now ready to follow the steps above for renumbering your pages to the number sequence you've chosen.

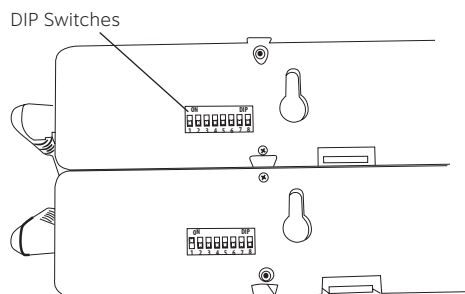


Fig. 2  
Bottom View Showing DIP switches

## DIP Switch Settings Chart

Pager Numbers	1	2	3	4	5	6	7	8
1 - 5	OFF	OFF	OFF	OFF	OFF	OFF	OFF	OFF
6 - 10	ON	OFF	OFF	OFF	OFF	OFF	OFF	OFF
11 - 15	OFF	ON	OFF	OFF	OFF	OFF	OFF	OFF
16 - 20	ON	ON	OFF	OFF	OFF	OFF	OFF	OFF
21 - 25	OFF	OFF	ON	OFF	OFF	OFF	OFF	OFF
26 - 30	ON	OFF	ON	OFF	OFF	OFF	OFF	OFF
31 - 35	OFF	ON	ON	OFF	OFF	OFF	OFF	OFF
36 - 40	ON	ON	ON	OFF	OFF	OFF	OFF	OFF
41 - 45	OFF	OFF	OFF	ON	OFF	OFF	OFF	OFF
46 - 50	ON	OFF	OFF	ON	OFF	OFF	OFF	OFF
51 - 55	OFF	ON	OFF	ON	OFF	OFF	OFF	OFF
56 - 60	ON	ON	OFF	ON	OFF	OFF	OFF	OFF
61 - 65	OFF	OFF	ON	ON	OFF	OFF	OFF	OFF
66 - 70	ON	OFF	ON	ON	OFF	OFF	OFF	OFF
71 - 75	OFF	ON	ON	ON	OFF	OFF	OFF	OFF
76 - 80	ON	ON	ON	ON	OFF	OFF	OFF	OFF
81 - 85	OFF	OFF	OFF	OFF	ON	OFF	OFF	OFF
86 - 90	ON	OFF	OFF	OFF	ON	OFF	OFF	OFF
91 - 95	OFF	ON	OFF	OFF	ON	OFF	OFF	OFF
96 - 100	ON	ON	OFF	OFF	ON	OFF	OFF	OFF
101 - 105	OFF	OFF	ON	OFF	ON	OFF	OFF	OFF
106 - 110	ON	OFF	ON	OFF	ON	OFF	OFF	OFF
111 - 115	OFF	ON	ON	OFF	ON	OFF	OFF	OFF
116 - 120	ON	ON	ON	OFF	ON	OFF	OFF	OFF
121 - 125	OFF	OFF	OFF	ON	ON	OFF	OFF	OFF
126 - 130	ON	OFF	OFF	ON	ON	OFF	OFF	OFF
131 - 135	OFF	ON	OFF	ON	ON	OFF	OFF	OFF
136 - 140	ON	ON	OFF	ON	ON	OFF	OFF	OFF
141 - 145	OFF	OFF	ON	ON	ON	OFF	OFF	OFF
146 - 150	ON	OFF	ON	ON	ON	OFF	OFF	OFF
151 - 155	OFF	ON	ON	ON	ON	OFF	OFF	OFF
156 - 160	ON	ON	ON	ON	ON	OFF	OFF	OFF
161 - 165	OFF	OFF	OFF	OFF	OFF	ON	OFF	OFF
166 - 170	ON	OFF	OFF	OFF	OFF	ON	OFF	OFF
171 - 175	OFF	ON	OFF	OFF	OFF	ON	OFF	OFF
176 - 180	ON	ON	OFF	OFF	OFF	ON	OFF	OFF
181 - 185	OFF	OFF	ON	OFF	OFF	ON	OFF	OFF
186 - 190	ON	OFF	ON	OFF	OFF	ON	OFF	OFF
191 - 195	OFF	ON	ON	OFF	OFF	ON	OFF	OFF
196 - 200	ON	ON	ON	OFF	OFF	ON	OFF	OFF