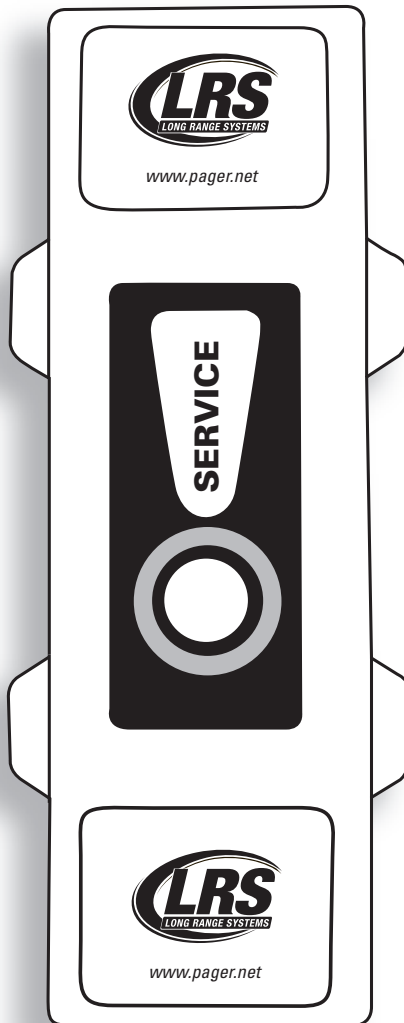


Butler XP (Beach Butler)

Paging System Transmitter

Installation & Operation



LRS

Long Range Systems, LLC
4550 Excel Parkway, Suite 200
Addison, TX 75001
800.437.4996 • 214.553.5308
www.lrsus.com

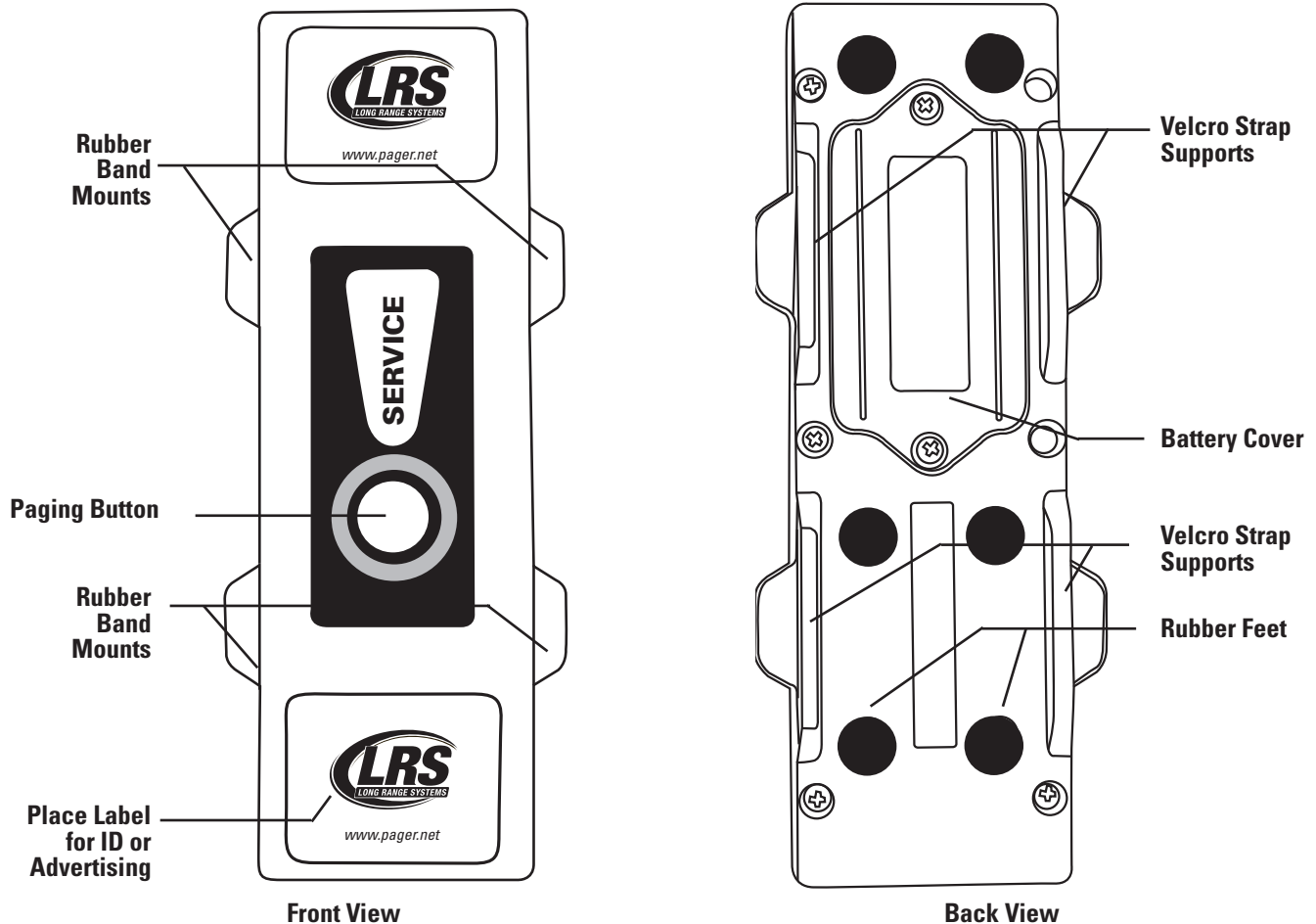
Table Of Contents

The Butler XP	2
Butler XP Installation	2
Mount to Pole with Rubber Bands	3
Mount to Pole with Velcro	4
Mount to Wall with Wall Mount Bracket	5
Examples	6
Warranty	7

Butler XP INSTALLATION AND OPERATION

The Butler XP paging system pages one pager or a group of pagers with one preprogrammed message. To program the Butler XP, you will need the Programming Kit - LRS Part Number KIT-0005. If you do not have this kit, please contact your local LRS representative.

The Butler XP



Installation

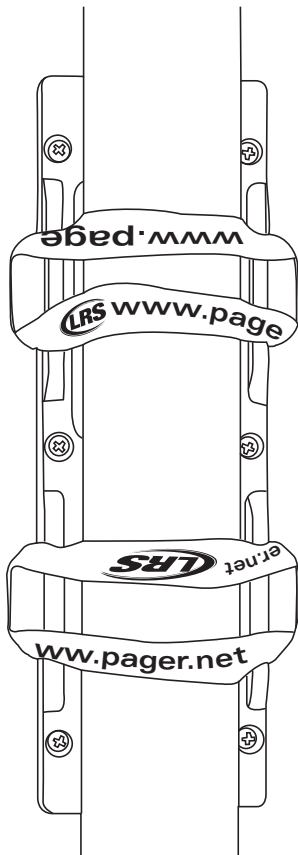
To put the Butler XP in operation:

Note: If your Butler XP is not already programmed, refer to the programming guide first.

1. Install the 2 AA batteries in the Butler.
2. Place the optional labels for showing Butler ID number or for advertising.
3. Locate the pole where the Butler is to be used.
4. Use the provided Velcro straps or rubber bands (or optional Umbrella Holder) to attach the Butler to the pole (the rubber feet will prevent slipping.)
5. Turn on the pager (refer to the pager booklet).
6. Press the button on Butler to test the pager.

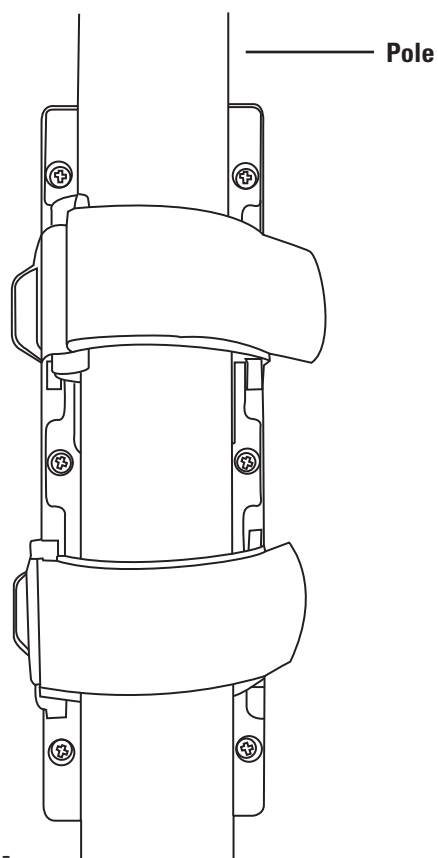
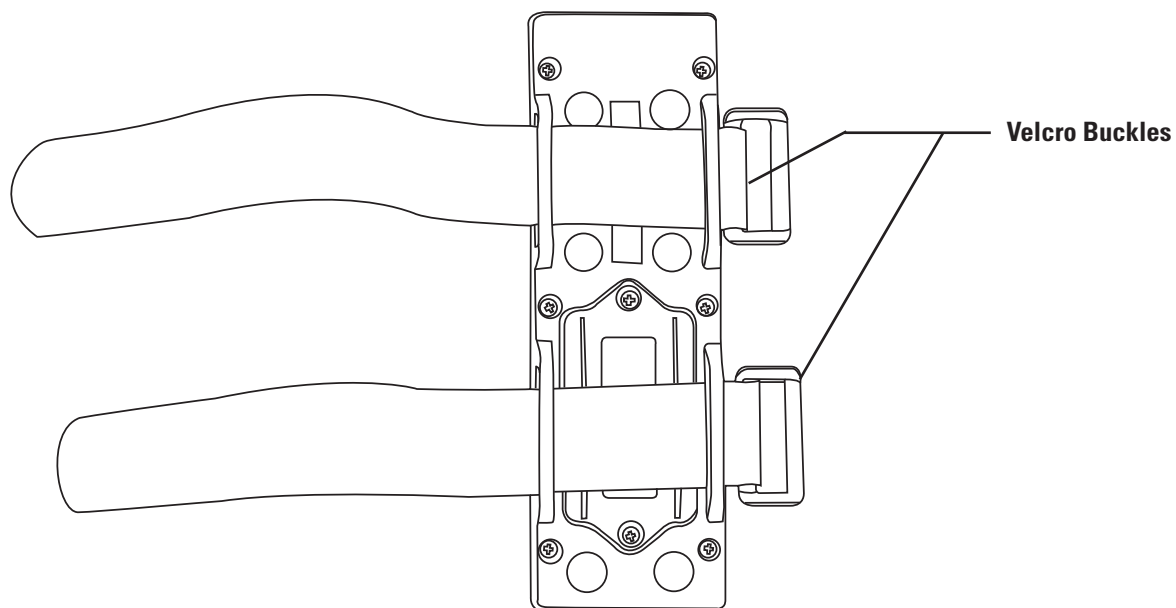
Mount To Pole with Rubber Bands

1. Hold the Butler XP against the pole to mount.
2. Place one end of rubber band and hook to Rubber Band Mount.
3. Wrap rubber band around pole and hook to other side Rubber Band Mount.
4. Repeat for second set of Mounts.



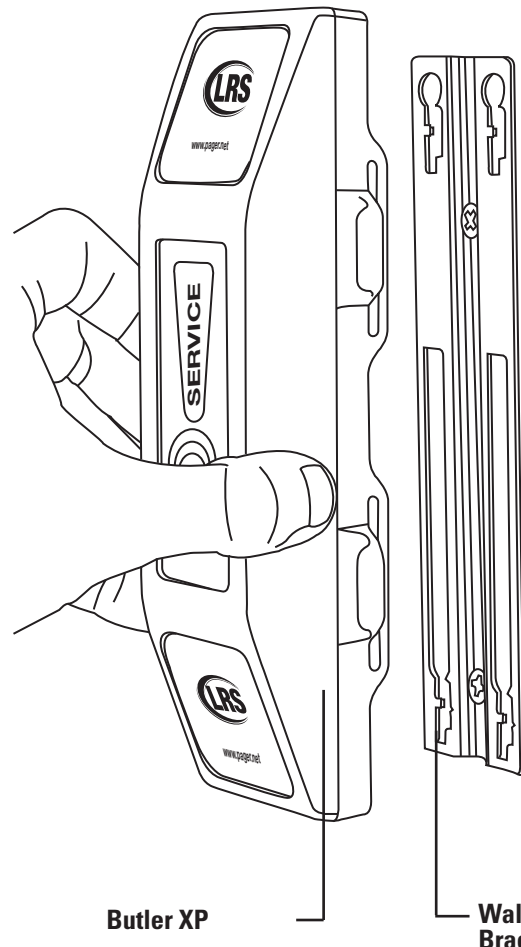
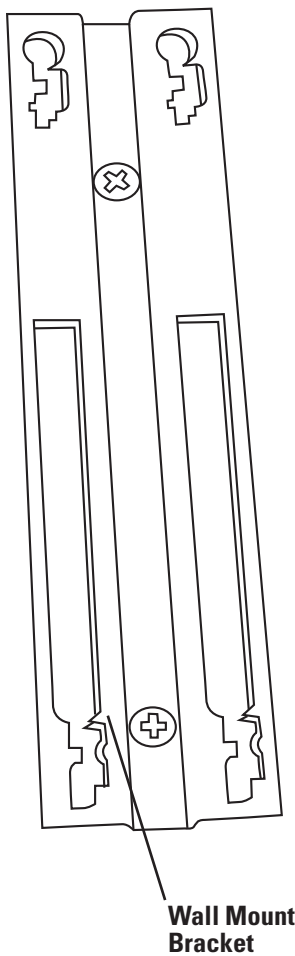
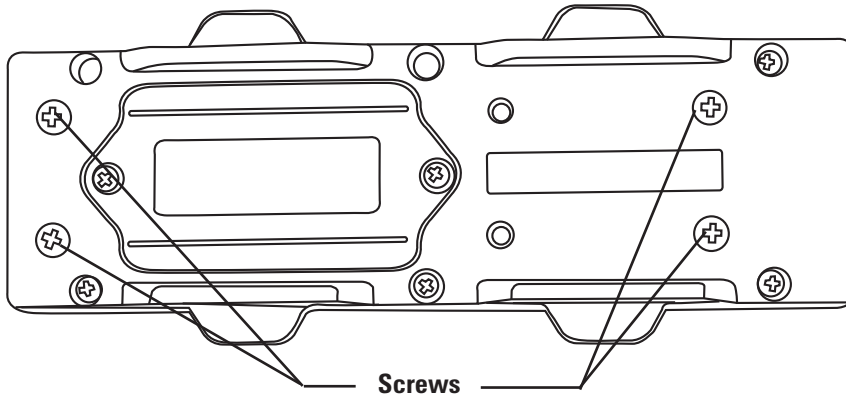
Mount To Pole with Velcro Straps

1. Place the Velcro straps through the Velcro Strap Supports, the Velcro facing out.
2. Hold the Butler XP against the pole to mount.
3. Wrap straps around pole, loop through buckles, and tighten.

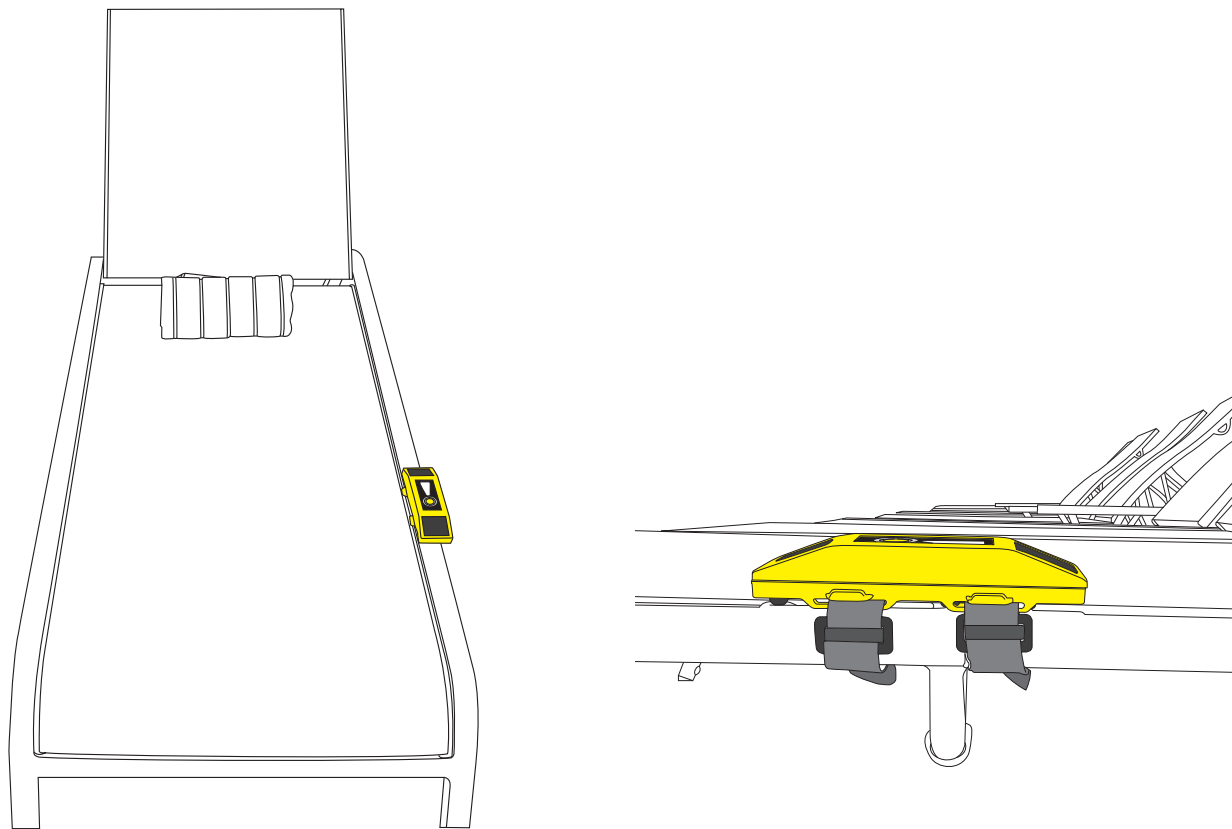


Mount To Wall with Wall Mount Bracket

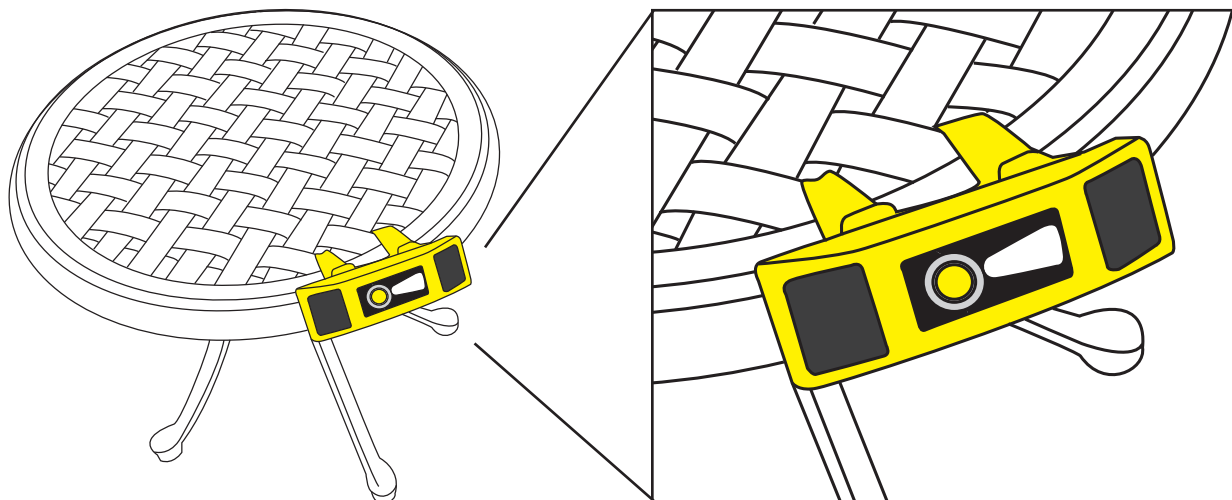
1. Remove all 6 rubber feet. Rubber feet are removed by turning them counter clockwise to unscrew.
2. Insert the 4 screws into Butler XP (#6-32 x 3/8").
3. Put 2 wall anchors into wall.
4. Use 2 #8 wood screws to secure Wall Mount Bracket.
5. Slide Butler XP onto Bracket.



Example: Pool-side Chair



Example: End Table



WARRANTY

Long Range Systems, LLC warrants this product against any defects that are due to faulty material or workmanship for a standard one-year period after the original date of consumer purchase. The warranty does not include damage to the product resulting from accident, misuse, improper electrical connection, or failure to charge the product within 30 days of receipt. Rechargeable pagers are required to stay on charge while not in use. Rechargeable pagers that are left off of charge for longer than 30 days will have a negative impact on the life of the batteries requiring them to be replaced thus voiding the warranty. If this product should become defective within the warranty period, we will repair or replace it with an equivalent product, free of charge. LRS will return your product via UPS ground shipping. All warranty claims must be initiated through our customer service department.

No return or replacement can be received without prior authorization and the proper RMA Number posted to the outside of the shipping container. To receive an RMA# call an LRS office:

U.S. Headquarters:

4550 Excel Pkwy Suite 200
Addison, TX 75001
214.553.5308

Europe:

Peterskamp 41
38108 Braunschweig, Germany
+49 (0) 531 2354725

Canada:

3184 Ridgeway Dr. Unit 42
Mississauga, Ontario,
Canada L5L 5S7
877.607.7243

Australia:

Level 1 Unit 2 / 9-11 Myrtle St.
North Sydney NSW 2026 Australia
+61 (0)2 9955 5700

South Africa:

58 Loop Street, 2nd Floor
Hycastle House, City Centre
Cape Town, Western Cape 8001
+27 21 422 4975

Brazil:

Av. Dr. Yojiro Takaoka, 4384
7o andar, Sala 704, Alphaville
CEP 06541-038, Brasil
(11) 4152 8416

Copyright © 2010, Long Range Systems, LLC All Rights Reserved

This document contains proprietary information of Long Range Systems, LLC (LRS) and is intended for use only by it's employees or customers. None of the material contained herein may be copied, reproduced, republished, downloaded, displayed, posted, or transmitted in any form or by any means, including but not limited to, electronic, mechanical, photocopying, recording, or otherwise without the prior written permission of LRS. Additional copies of this manual may be obtained by contacting LRS.

Screen displays, keyboard layouts, hardware descriptions, or software are proprietary to LRS and are subject to copyright and other intellectual property rights of LRS and shall be treated in accordance with the previous paragraph.

All attempts have been made to make the information in this document complete and accurate. LRS is not responsible for any direct or indirect damages or loss of business resulting from inaccuracies or omissions. Specifications and other information contained within this document are subject to change without notice.