

Beach Butler

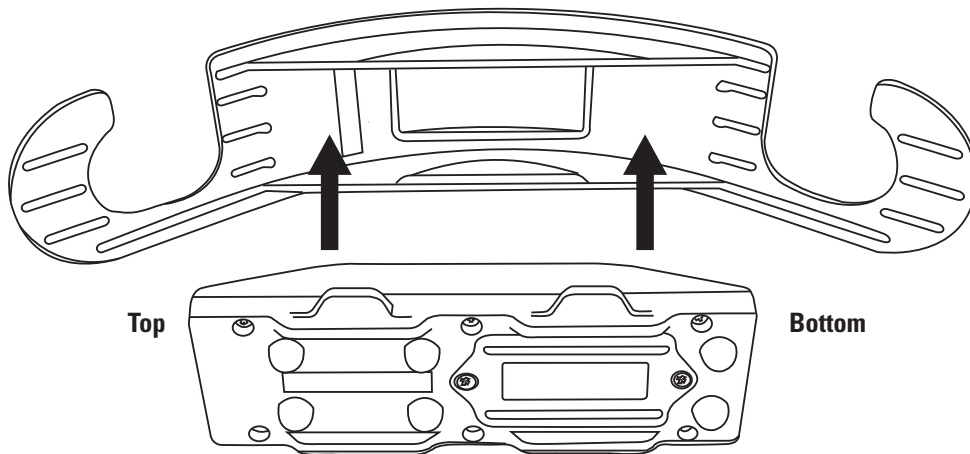
Umbrella Holder Installation

QUICK SETUP & OPERATION

The Umbrella Holder for the Beach Butler paging system is an optional way to conveniently mount the Butler.

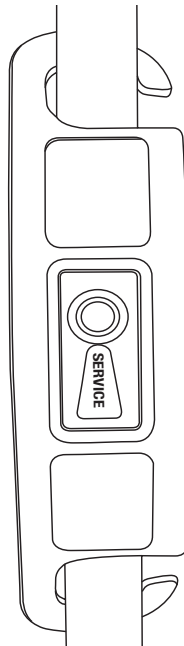
Installation

1. Perform the Installation and Setup process listed in the Beach Butler User Manual.
2. Locate the pole where the Beach Butler is to be used.
3. Insert Beach Butler into Umbrella Holder with the Service Button visible.



(Note: Butler does not lock in place.)

4. Mount as pictured. Battery compartment must face down. The rubber feet will prevent the Butler from slipping.



XU-0032 030110